

Shielding Box MSB-0602

MTS-No.: 23546

Application

The Shielding Box can be used for measurements and tests of electronic devices such as mobile phones, notebooks, evaluation boards etc. without electromagnetic disturbances from the environment.

Description

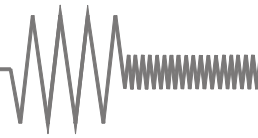
MTS Systemtechnik GmbH has developed a compact and movable EMC screened 'room', to fulfil multipurpose requirements. The stable construction of the Shielding Box series MSB is predestined for high test appearance due to the easy, single-handed open-close function.

The operation of the test samples can be done by using the numerous included communication interfaces.



Characteristics

- ▶ Highest quality materials for extended life time and high test appearance
- ▶ Economical solution for high RF shielding levels and reproducible test scenarios to avoid time-consuming and expensive tests at EMC laboratories
- ▶ Air circulation is given by the integrated fan
- ▶ Usable for frequencies between 500 MHz to 6000 MHz, such as GSM / DCS / DECT / UMTS / LTE / RFID / ZigBee / Bluetooth / WLAN etc.
- ▶ USB 3.0 capable
- ▶ Weight optimized structure improves the mobility
- ▶ Highest safety standards through increased slip resistance and gas prop cover holder
- ▶ A wide range of supply and communication interfaces are included as standard
- ▶ Pneumatic interfaces integrated
- ▶ Optional interfaces and connectors to customers specifications
- ▶ Shielding Boxes with other dimensions can be designed according to customers individual requirements



Shielding Box MSB-0602

MTS-No.: 23546

Configuration:

4x SMA connections, 6x pneumatic feed through M5, 5x SUBD 9-pole (RS-232), 2x USB 3.0, 2x XLR, 1x fan with adapting box for fan and 3x EMC filtering stack (honeycomb vent), additional accessory: Stereo jack 3.5 mm adapter set

Technical data:

1 RF-specifications:

1.1 Impedance	50 Ω
1.2 Frequency range	500 MHz – 6000 MHz
1.3 Shielding	90 dB typ. @ 500 MHz – 2 GHz, 70 dB typ. @ 2 GHz – 4 GHz, 65 dB typ. @ 4 GHz – 5 GHz 55 dB typ. @ 5 GHz – 6 GHz

2 Connectors (outside / inside):

2.1 Antenna-interface	4x SMA female / SMA female
2.2 Pneumatic-interface	6x Feed through M5
2.3 Serial-interface	5x SUBD 9-pole female / SUBD 9-pole male
2.4 USB-interface	2x USB 3.0 type A female / type A female (1x double module)
2.5 Audio-interface	2x XLR-flange 3-pole female / XLR-flange 3-pole male
2.6 Fan power supply	High-voltage-SUBD, 3-pole connector for adapting the fan @ external power supply cable *)
2.7 Ground connection	Screw M4 outside

3 General specifications:

3.1 Fan power supply	230 V AC, 50 Hz, 10W typ.
3.2 SUBD 9-pole	50 V DC max., 1 A max.
3.3 USB 3.0	10 V DC max., 1.5 A max.
3.4 XLR	50 V DC max., 1 A max.
3.5 Operating temperature	-40 °C - +85 °C
3.6 Reference temperature for specifications	+25 °C
3.7 Dimensions (without protruding parts, like handles, connectors, etc.)	Outside: 264 x 340 x 350 (L x W x H in mm) Inside: 208 x 314 x 324 (L x W x H in mm)
3.8 Surface	Aluminum chem. nickel plated (20 - 25 µm)
3.9 Weight	10.5 kg

4 Delivery package:

Shielding Box MSB-0602
3 Integrated EMC filtering stack
(Honeycomb vent 108.8 mm x 108.8 mm)
1 Cable from Stereo connector 4-pole male
3.5 mm to SUBD 9-pole male, 2m
1 Cable from Stereo connector 4-pole female
3.5 mm to SUBD 9-pole female, 1m
1 External supply cable from SCHUKO plug to high
voltage SUBD connector, 2m *)
CD with operation manual and configuration sheet

5 Comments:

Warranty	12 months
RoHS-compliance	Yes

6 Recommended accessories:

USB 3.0-cable type A / type A
Lighting bar
Divers antennas
Measurement cable assemblies

7 Possible options:

Additional or other RF connectors
VGA Interface
LAN Interface filtered by optical media converter
RF-absorber mats
Ferrite absorber
Infrared window
Locking (for padlock)
Mobile phone attachment with Velcro® fastening
One or more pcs. of integrated touchpanel operating stylus

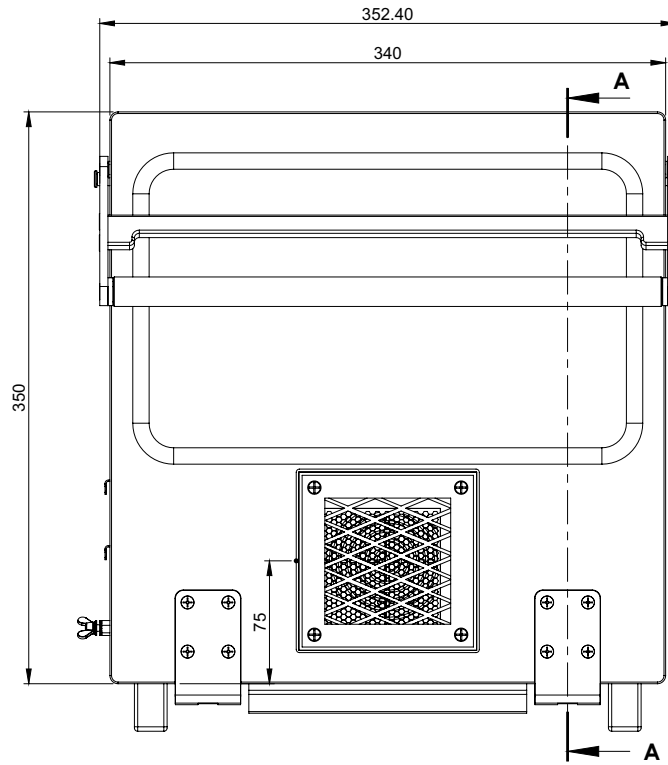
***) It is absolutely forbidden to connect or disconnect any high-voltage-SUBD connector energized!**

It is absolutely forbidden to energize the external power supply cable while the related high-voltage-SUBD connector is not connected and tightened!

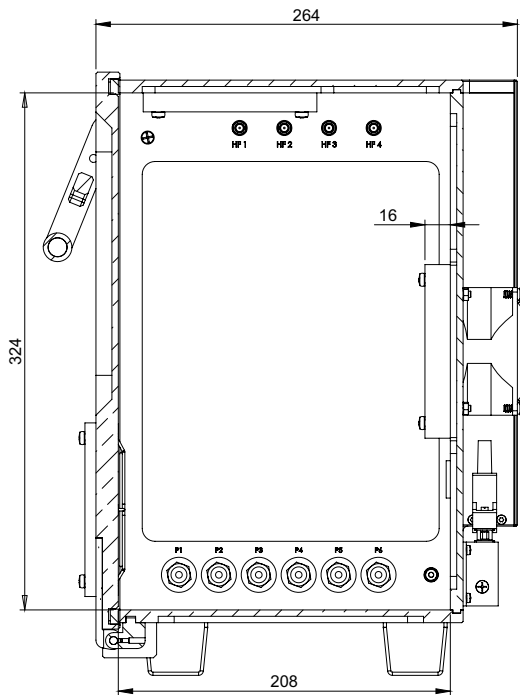
Shielding Box MSB-0602

MTS-No.: 23546

Views:

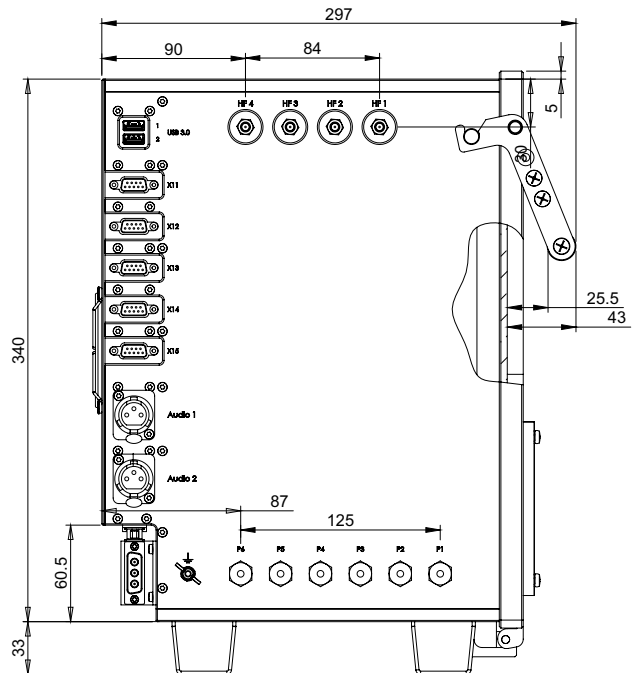


MSB-0602 Front view



A-A

MSB-0602 Inner view (cut from right side)



MSB-0602 View from left side