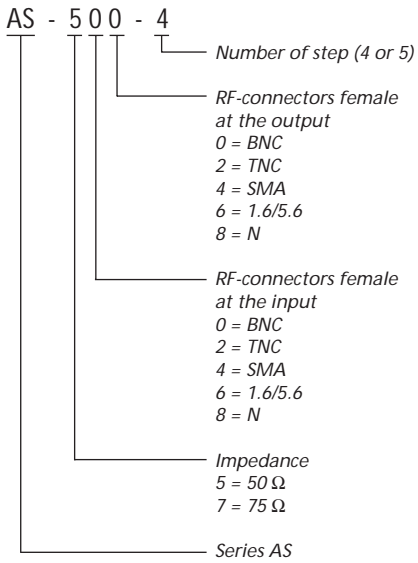


Series AS

The attenuation of step attenuators series AS is manual selected by toggle switches. Generally the following steps of attenuation are available: 1, 2, 4, 8 (16) dB or 1, 2, 5, 10 (20) dB; MTS offers also other attenuation steps on request. The attenuators are available as 4-step or 5-step types.

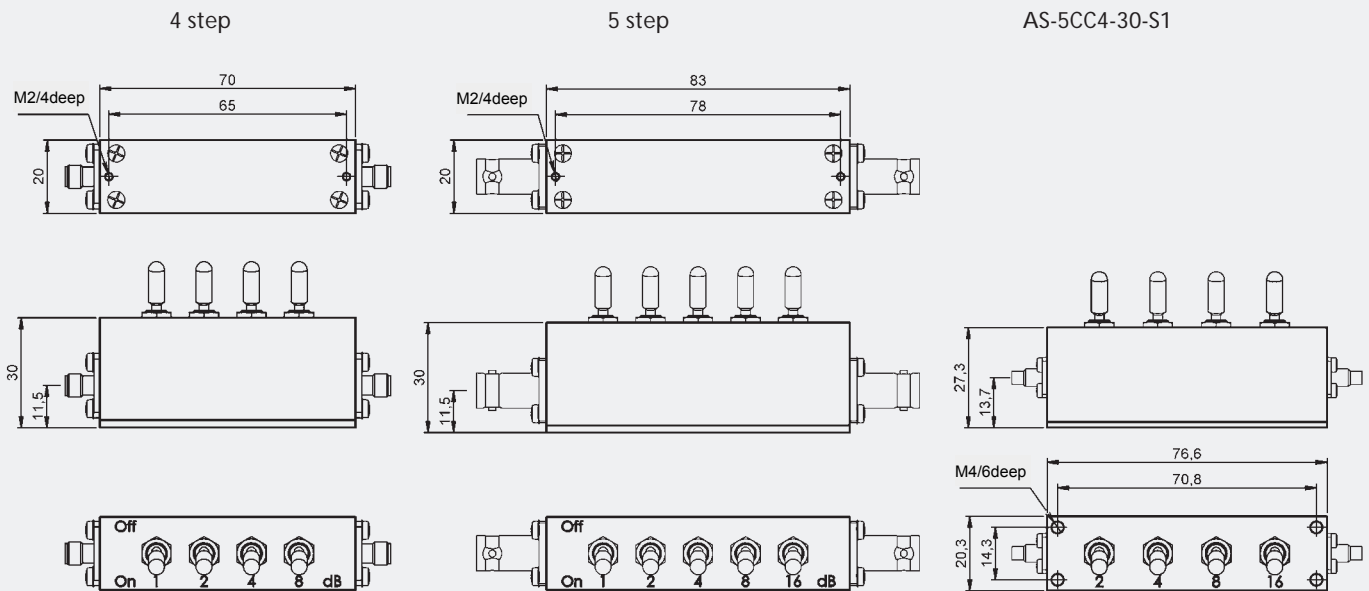
Model designation



Technical data (guaranteed values at +25 °C)

	Basic types	Special types AS-5CC4-30-S1
Frequency range	DC to 100 MHz	400 to 1000 MHz
Attenuation steps	1, 2, 4, 8 (16) dB 1, 2, 5, 10 (20) dB	2, 4, 8, 16 dB
Accuracy / step	±0,5 dB	±0,3 dB
VSWR	1,3 : 1	1,4 : 1
Impedance	50 Ω or 75 Ω	50 Ω
Maximum RF-power	1 W CW (2 W on request)	0,8 W CW
Insertion loss	0,5 dB	0,8 dB
RF-connectors	BNC, TNC, SMA 1.6/5.6, N female	SMC, female

Enclosure dimensions, series AS



All dimensions in mm