

Shielding Box Unit MSBU-3CA-HI

MTS-No.: 28316

Application

The Shielding Box Unit can be used for measurements and tests of electronic devices such as mobile phones, notebooks, evaluation boards etc. without electromagnetic disturbances from the environment.

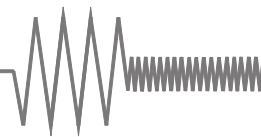
Description

MTS Systemtechnik GmbH has developed a compact EMC screened 'rack mount chassis', to fulfil multipurpose requirements. The stable construction of the Shielding Box Unit series MSBU is predestined for industrial long term tests. To offer a maximum of flexibility and usability the Shielding Box Unit can be built with a variable number of independent shielding cabinets, each with RF- and communication interfaces. Therefore it is possible to use the unit for different tests or by different users at the same time. The operation of the test samples can be done by using the included communication interfaces independently for each chamber.



Characteristics

- ▶ Highest quality materials for extended life time and high test appearance
- ▶ Economical solution for high RF shielding levels and reproducible test scenarios to avoid time-consuming and expensive tests at EMC laboratories
- ▶ Usable for frequencies between 500 MHz to 6000 MHz, such as GSM / DCS / DECT / UMTS / LTE / RFID / ZigBee / Bluetooth / WLAN etc.
- ▶ An ergonomic position of the user is achieved by front side opening
- ▶ Weight optimized structure improves the mobility
- ▶ 19" rack mount case with 3 HU
- ▶ Optional interfaces and connectors to customers specifications
- ▶ Shielding Box Units or Shielding Boxes with other dimensions can be designed according to customers individual requirements



Shielding Box Unit MSBU-3CA-HI

MTS-No.: 28316

Configuration:

3 individual shielding cabinets, 6x N connection to SMA connection (2 for each cabinet), 3x USB 2.0 (1 for each cabinet)

Technical data:

1 RF-specifications:

1.1 Impedance	50 Ω
1.2 Frequency range	500 MHz – 6000 MHz
1.3 Shielding @ closed cover (no mesh)	95 dB typ. @ 0.5 – 4.0 GHz 90 dB typ. @ 4.0 – 5.0 GHz 65 dB typ. @ 5.0 – 6.0 GHz

2 Connectors (outside / inside):

2.1 Antenna-interface	6x N female / SMA female (2 for each cabinet)
2.2 USB-interface	3x USB 2.0 type A female / type A female, (1 for each cabinet)
2.3 Ground connection	Screw M4 outside

3 General specifications:

3.1 USB	50 V DC max., 1 A max.
3.2 Operating temperature	+0 °C - +50 °C The equipment should not be subjected to extreme temperatures and variations in temperature.
3.3 Reference temperature for specifications	+25 °C
3.4 Dimensions (without protruding parts, like handles, connectors, etc.)	Outside (with / without modules): 255 / 235 x 482.6 (19") x 132 (3 HU) (L x W x H in mm) Inside: 3 cabinets with each 220 x 116 x 110 (L x W x H in mm)
3.5 Surface	Aluminum chem. nickel plated (20 - 25 μm)
3.6 Weight	11.6 kg

4 Delivery package:

Shielding Box MSBU-3CA-HI
CD with operation manual and configuration sheet

5 Comments:

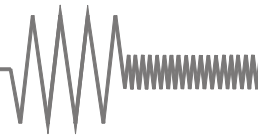
Warranty 12 months
RoHS-compliance Yes

6 Recommended accessories:

Guiding rails for mounting
USB 2.0 cable type A / type A
Lighting bar
Several antennas
Measurement cable assemblies

7 Possible options:

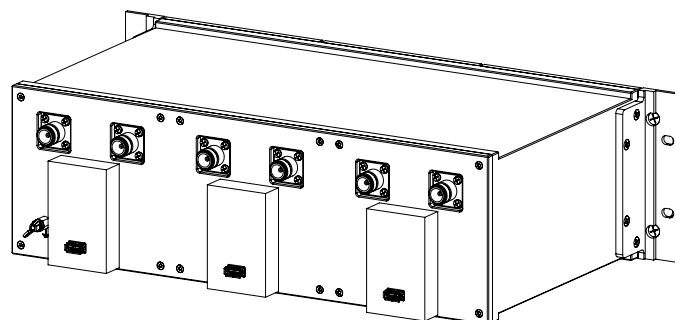
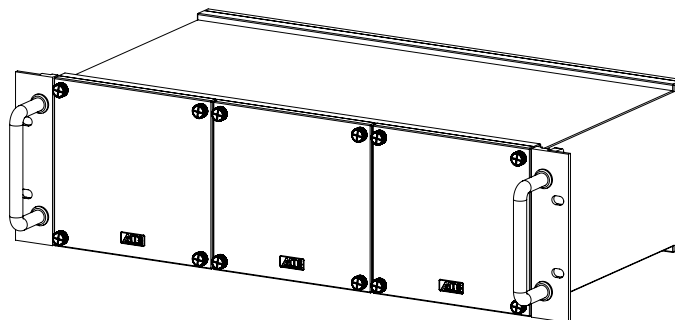
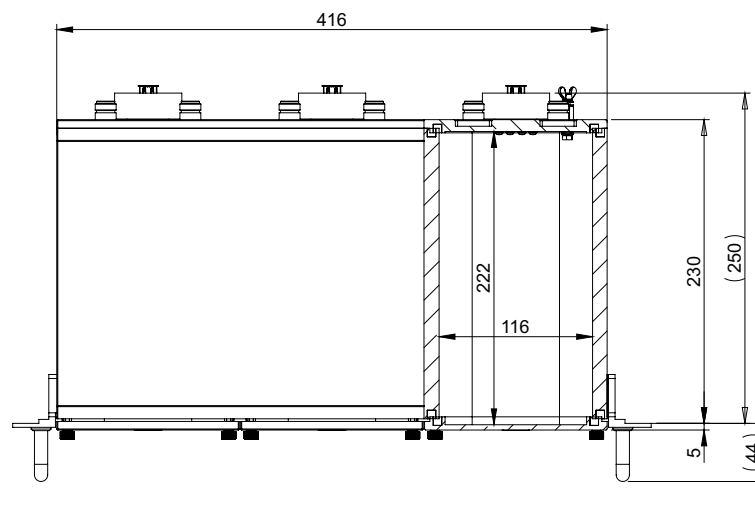
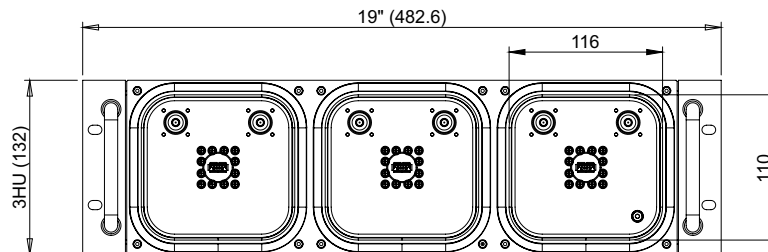
Additional or other RF connectors
Serial-interface
USB-interface (3.0 type rectangle female or C)
LAN-interface (10/100/1000)
LAN-interface (2500/5000/10000)
HDMI-interface (1.4 up to 2.0)
VGA-interface
Audio-interface (XLR 3- or 5-pole or stereo jack 4-pole)
RF absorber mats
Locking (for padlock)

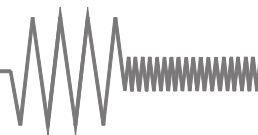


Shielding Box Unit MSBU-3CA-HI

MTS-No.: 28316

Views:





Shielding Box Unit MSBU-3CA-HI

MTS-No.: 28316

Shielding with closed cover:

