

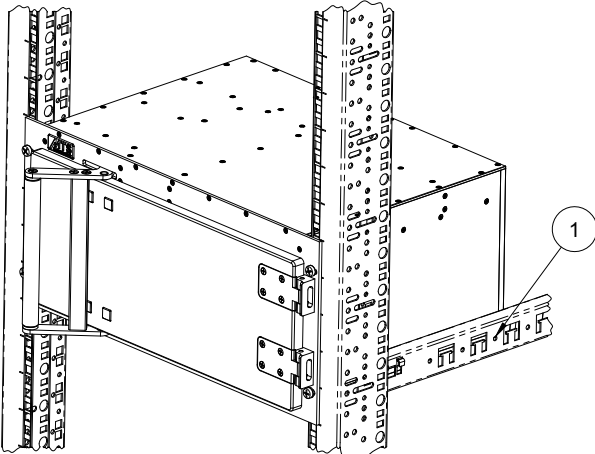
Installation instructions of the Shielding Box

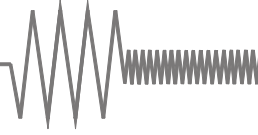
The Shielding Box is designed to fit in a 19" Rack or other devices with the same wide and attachment break outs. Mounting material is not included in the scope of delivery.

Attention: The handling of the Shielding Box is allowed to authorized personnel only. Before changing any device or module, the Shielding Box inclusive all shielded chambers have to be disconnected from all power supply lines and from RF-power in any case!
The Shielding Box and inner units have to be in a de-energized OFF state.

Do not install the Shielding Box without guides and observe the maximum load!

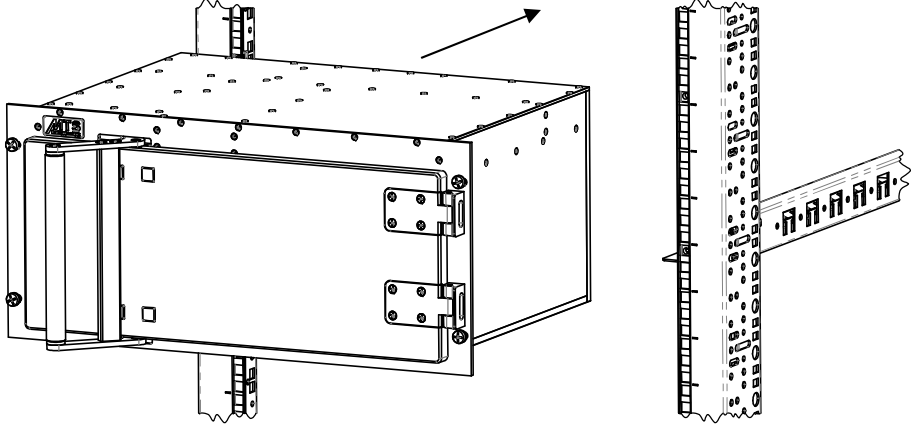
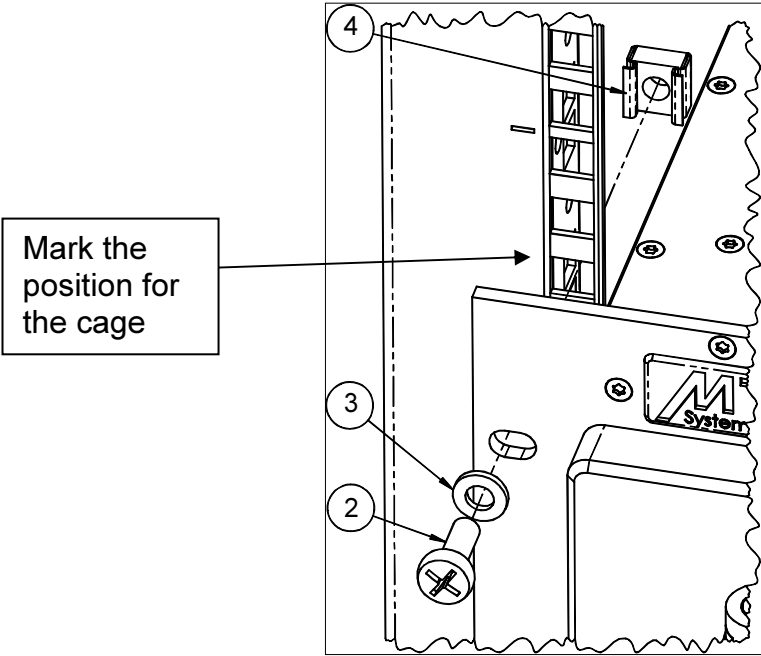
Follow the work steps as shown below:

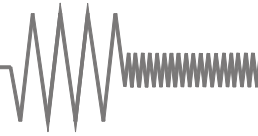
Pos.	Work steps
1	Deactivate all connected lines and then disconnect all connected lines from the Shielding Box (do not disconnect internal ground connections).
2	Check the correct positioning of the guides (see figure 1).  <p>If necessary correct the alignment of the guides. Attention: Observe maximum load!</p>



Shielding Box MSB-0074-FLABS-FAN

MTS-No.: 29953

<p>3</p>	<p>Position the lower edge of the Shielding Box on the guides and push it backwards to the installation device.</p> 
<p>4</p>	<p>Mark the positions from the front plate to the breakouts in the L-profile. At this position the cage nuts (figure 4) have to be installed.</p> 



Shielding Box MSB-0074-FLABS-FAN

MTS-No.: 29953

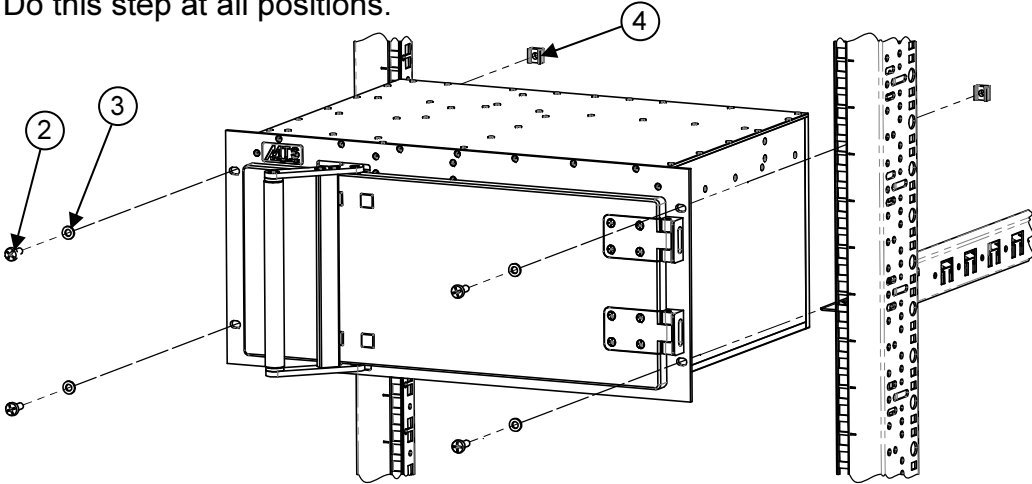
<p>5</p>	<p>Mount in the screws (figure 2) with washer (figure 3) to the cage nut and fix it. Do this step at all positions.</p>  <p>Additional material from MTS Systemtechnik</p> <p>Fig. 2 screw M6x16 (order number 10288) Fig. 3 plastic washer M6x18 (order number 10337) Fig. 4 cage nuts (order number 15401)</p>
<p>6</p>	<p>Reinstall all disconnected lines described in step 1.</p>

Table 1: Work steps for install the Shielding Boxes in a mounting device