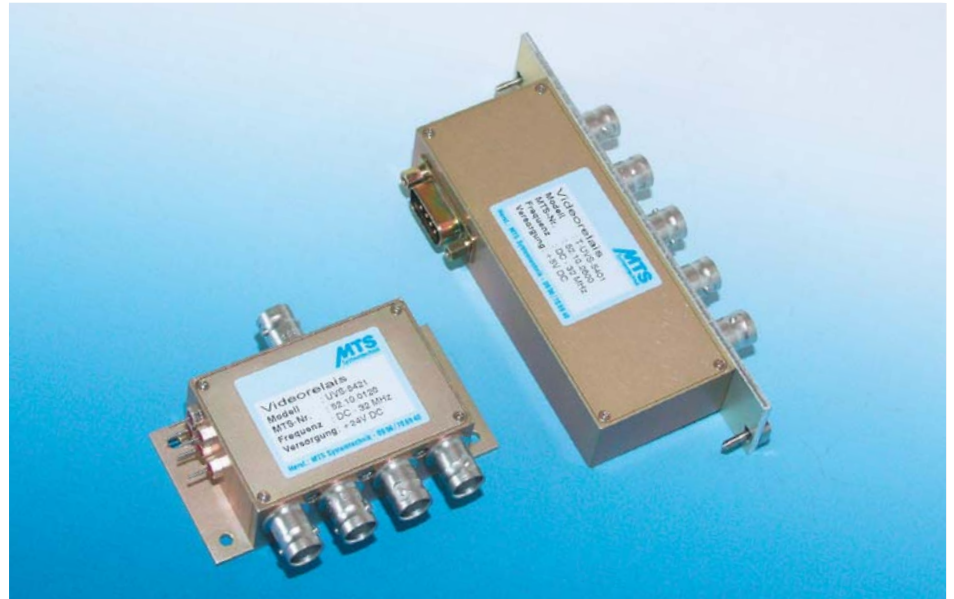
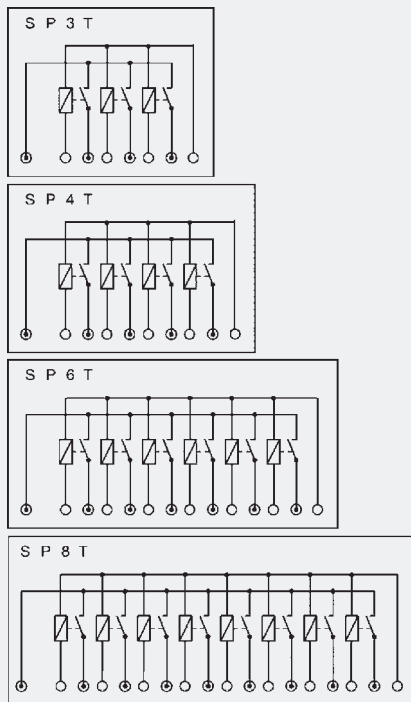


Series UVS and T-UVS

- DC to 32 MHz
- 3-way (SP3T) to 8-way (SP8T)
- Impedance optional 50 Ω or 75 Ω
- BNC connectors (others on request)
- Aluminium enclosures (RF shielded)
- Special types on request



Configurations

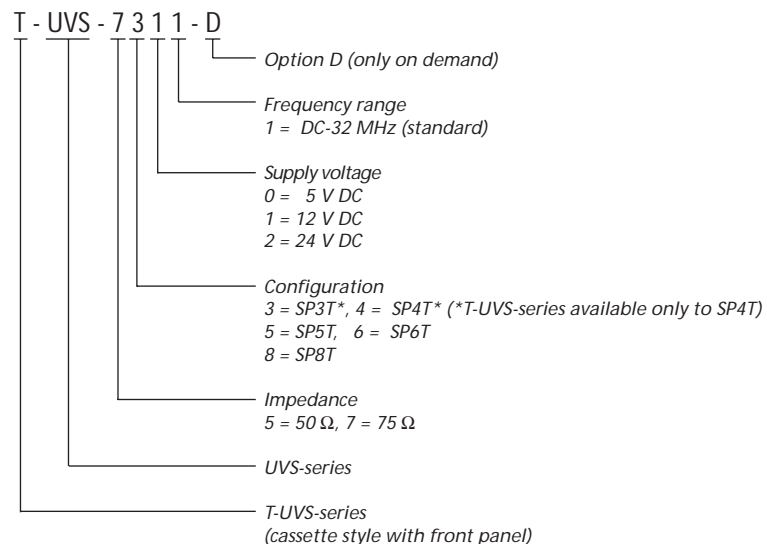


Technical data (guaranteed values at +25 °C)

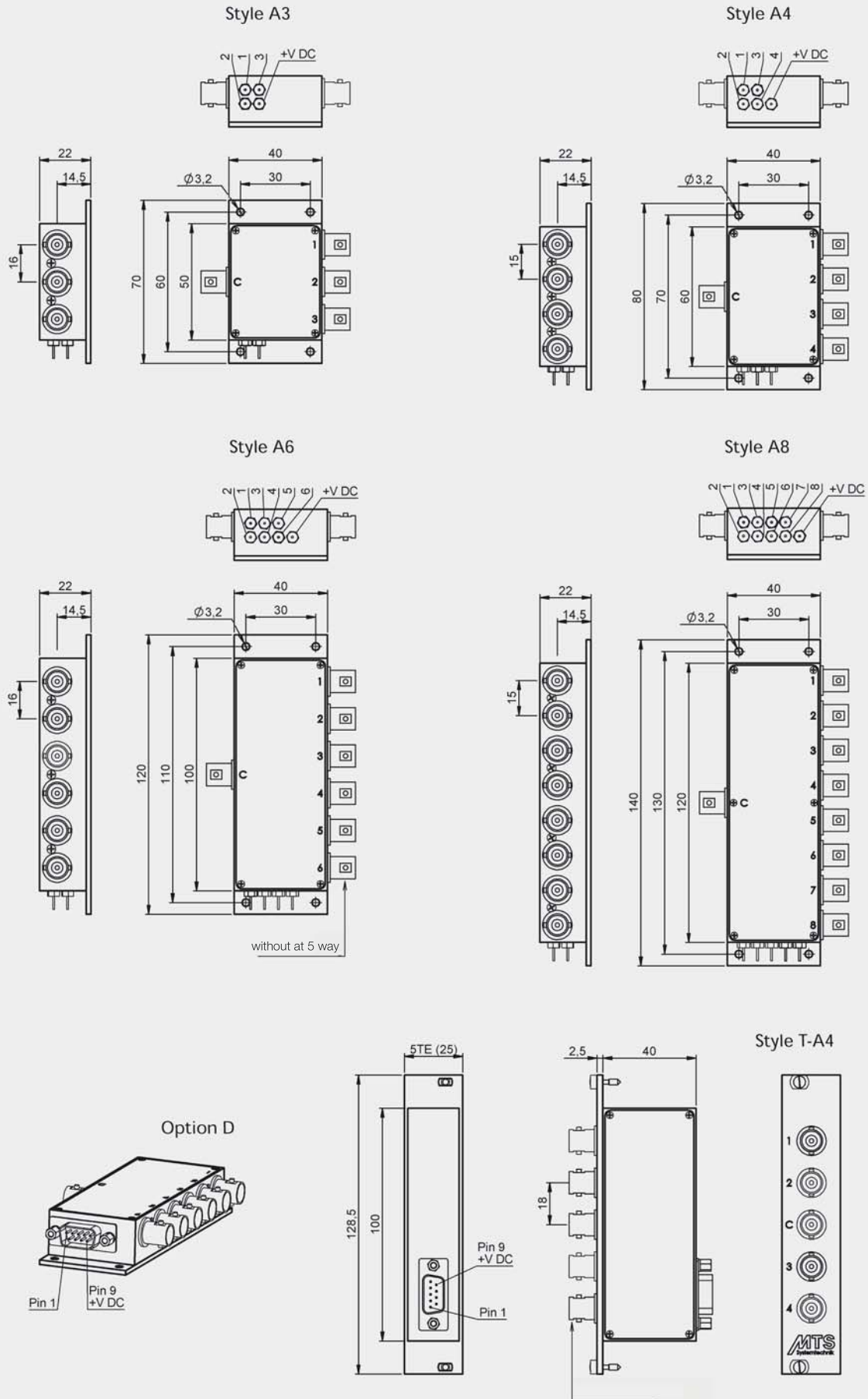
Series	UVS	T-UVS
Frequency range	DC to 32 MHz	DC to 32 MHz
Impedance	50 Ω or 75 Ω	50 Ω or 75 Ω
Cross talk	55 dB	55 dB
Insertion loss	0,20 dB SP3T to SP5T 0,25 dB SP6T to SP8T	0,20 dB SP3T and SP4T
VSWR	1,30 : 1 SP3T to SP5T 1,35 : 1 SP6T 1,40 : 1 SP8T	1,30 : 1 SP3T and SP4T
Maximum RF-power*	5 W CW	5 W CW
Switching time	15 ms	15 ms
Life cycles	10 ⁶ cycles	10 ⁶ cycles
Configuration / style	SP3T = A3, SP4T = A4 SP6T = A6, SP8T = A8	SP3T = A4 SP4T = A4
Option D	The control lines are connected with a 9-pole-SUB-D connector (standard at T-UVS) instead of DC-feedthrough filters.	

*cold switching

Model designation



Enclosure dimensions, series UVS and T-UVS



All dimensions in mm