

Filter Module FIL-RJ45-PoE++

MTS-No.: 30800

Page 1 from 3

Description

The feedthrough Filter Module RJ45-PoE++ with integrated EMI filter is designed to be built in at MTS Shielding Boxes series MSB. It supports Ethernet (10 Mbit/s), Fast Ethernet (100 Mbit/s), Gigabit-Ethernet (up to 10 Gbit/s) and is suitable for testing mobiles, tablets or similar devices with high data rates under shielded conditions.

PoE++ power passing compatible and passive filter elements are included.

The connectors are RJ45 CAT.6A modular jacks.



Technical data:

1 RJ45 specifications:

1.1 Supported standards	10, 100, 1000, 2.5G, 5G, 10G (Base-T)
1.2 Transfer rates (depends on host)	
@ 10Base-T	8 Mbit/s typ. (1 MB/s)
@ 100Base-T	88 Mbit/s typ. (11 MB/s)
@ 1000Base-T	880 Mbit/s typ. (110 MB/s)
@ 10GBase-T	8800 Mbit/s typ. (1100 MB/s)
1.3 PoE compatibility	PSE max. PD min.
@ PoE (802.3af)	15.4 W 13.0 W
@ PoE+ (802.3at)	30.0 W 25.5 W
@ PoE++ (802.3bt)	90.0 W 71.0 W
1.4 Voltage @ each pin	60 V DC max.
1.5 Current capacity @ each line	1500 mA max.
1.6 EMI filter	Common mode chokes
1.7 RF shielding	80 dB typ.
1.8 Pinning RJ45 interface	
@ Pin 1	D1+ EMI
@ Pin 2	D1- EMI
@ Pin 3	D2+ EMI
@ Pin 4	D3+ EMI
@ Pin 5	D3- EMI
@ Pin 6	D2- EMI
@ Pin 7	D4+ EMI
@ Pin 8	D4- EMI
@ Shell	Shield Housing

3 General specifications:

3.1 Operating temperature	-30 °C - +70 °C
3.2 Storage temperature	-40 °C - +80 °C
3.3 Reference temperature for specifications	+25 °C
3.4 Dimensions (without connections) (LxWxH)	71 mm x 41.75 mm x 31 mm
3.5 Case style	Milled aluminium enclosure
3.6 Colour	SurTec650 (chromit Al)
3.7 Weight	155 grams

4 Delivered parts:

Filter Module FIL-RJ45-PoE++
Datasheet

5 Comments:

Warranty 12 months
RoHS-compliant Yes

6 Recommended accessories:

Shielded S/FTP CAT.6A RJ45 patch cables or higher with a total length up to 30 meters.

2 Connections (outside / inside):

2.1 RJ45 interface	CAT.6A modular jack
2.2 Durability @ each connector	500 cycles

30800.SPEC / FIL-RJ45-PoE++ / V1.1 / 2024-10-25

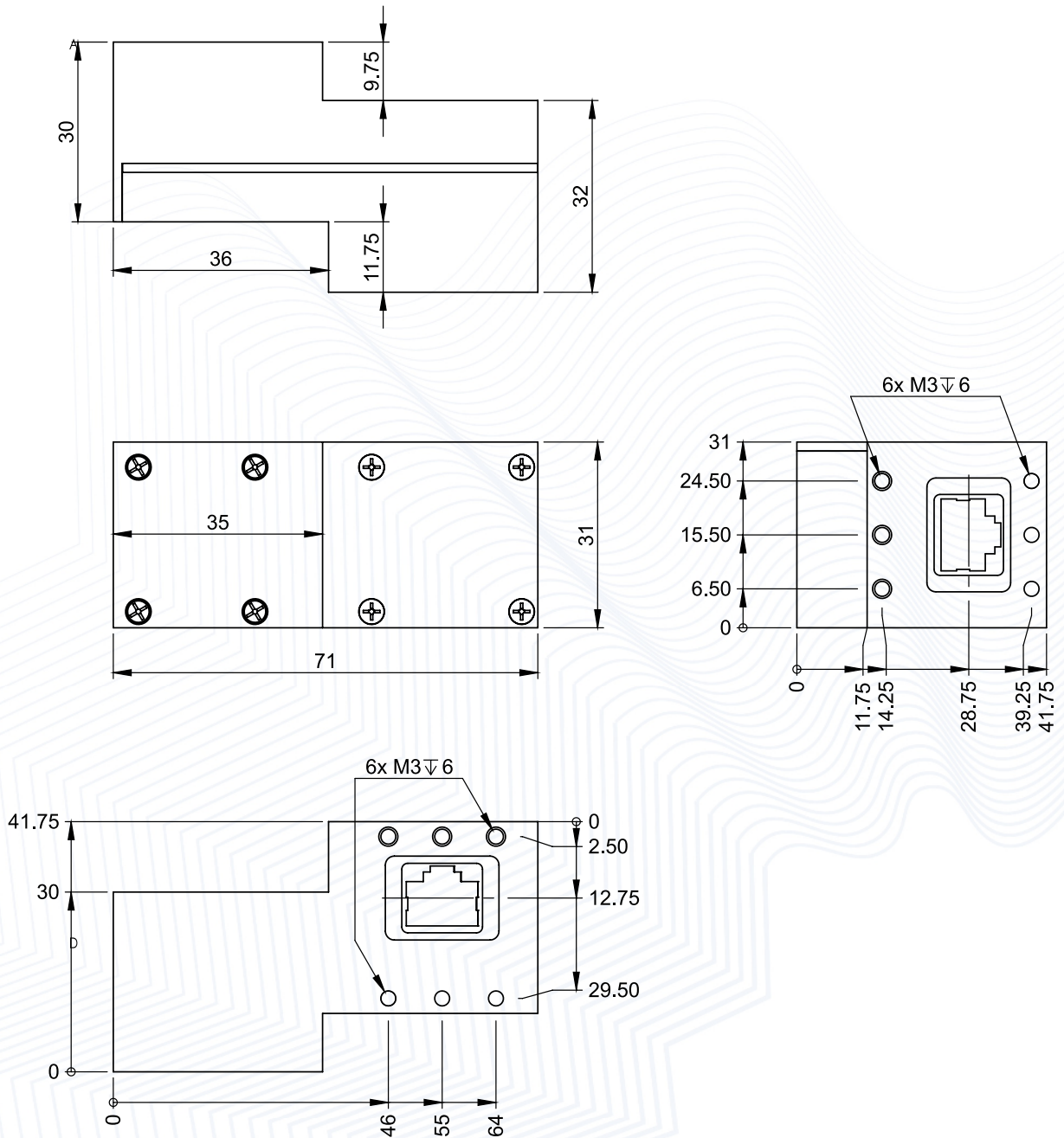
© MTS Systemtechnik GmbH
Technical subject to change

Filter Module FIL-RJ45-PoE++

MTS-No.: 30800

Page 2 from 3

Views:



Filter Module FIL-RJ45-PoE++

MTS-No.: 30800

Page 3 from 3

Typical RF shielding:

